

KU BT 6000 SMA

Specifications:

Frequency range: 10 ... 6000 MHz
Insertion loss: max. 1 dB
typ. 0.6 dB @ 10 MHz
typ. 0.6 dB @ 2000 MHz
typ. 0.6 dB @ 4000 MHz
typ. 0.8 dB @ 6000 MHz

RF Input Power: max. 1 W (+30 dBm)
Isolation (RF-DC): typ. 30 dB

Operating parameters

Voltage range: 0 ... 30 V DC
Current: max. 3.0 A
(Protected with a self-resetting semiconductor fuse)

Mechanics

Connector (RF) / Impedance: SMA-female, 50 ohms
Connector (RF + DC) / Impedance: SMA-female, 50 ohms
Connector (DC) / Impedance: BNC-female, 50 ohms
Case: milled aluminium
Dimensions (mm): 50 x 30 x 22

Features:

- Low insertion loss
- Large bandwidth
- Milled aluminium case

Applications:

- Remote power supply of tower mounted low noise converters or preamplifiers

CE Conformity:

- EMC directive 2014/30/EU
- Low voltage directive 2014/35/EU
- RoHS directive 2011/65/EU



Products are only to be sold to processing companies or radio amateurs with a licence.
For operating high frequency modules legal instructions must be followed.

Directors: Ian Duke/Gustav Wenhold
Reg no: HRB 3350 Hof, VAT-ID-No: DE 813343044, WEEEReg.-Nr. DE34186665

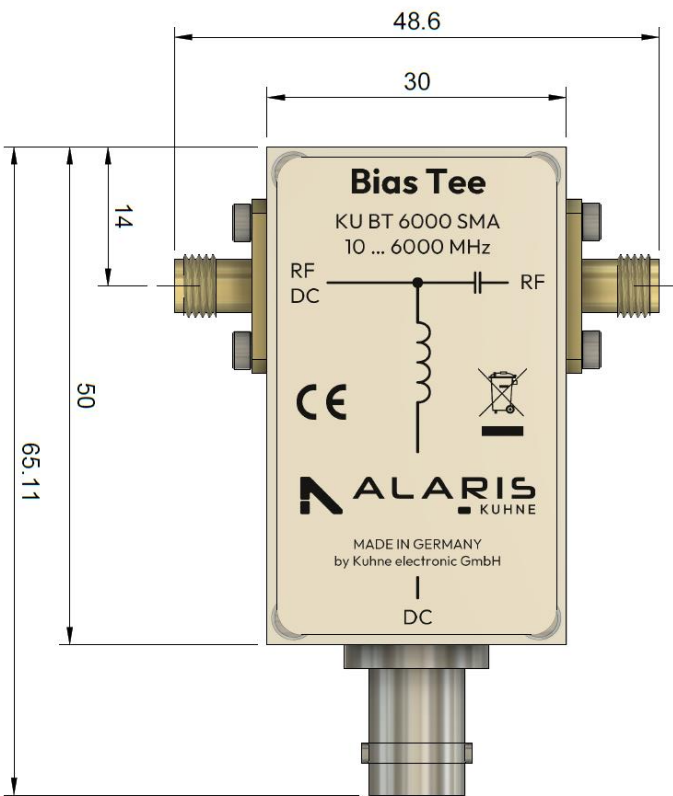
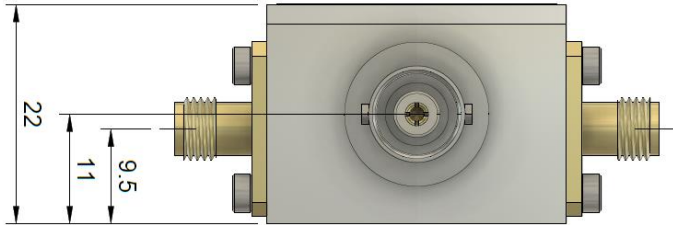
Kuhne electronic GmbH
Scheibenacker 3, 95180 Berg
Germany

A DIVISION OF

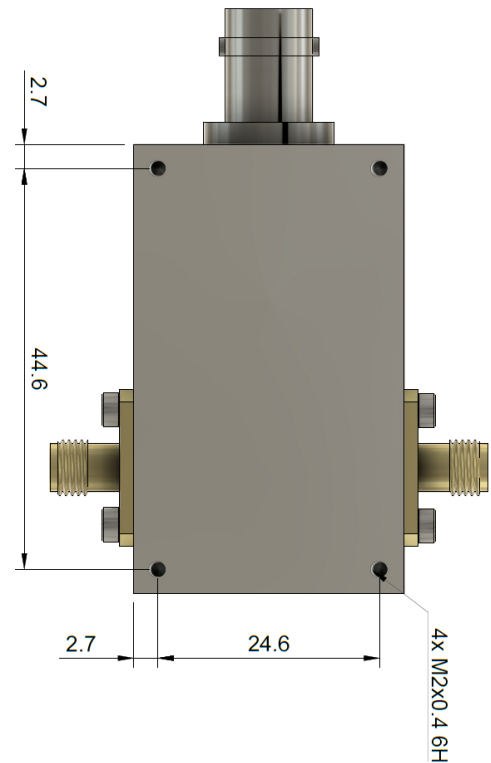
 **ALARIS**
THE RF TECHNOLOGY GROUP



Dimensions:



Mounting holes:



Products are only to be sold to processing companies or radio amateurs with a licence.
 For operating high frequency modules legal instructions must be followed.

Directors: Ian Duke/Gustav Wenhold
 Reg no: HRB 3350 Hof, VAT-ID-No: DE 813343044, WEEEReg.-Nr. DE34186665

Kuhne electronic GmbH
 Scheibenacker 3, 95180 Berg
 Germany

A DIVISION OF

ALARIS
THE RF TECHNOLOGY GROUP

